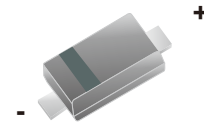


CDBH0230-HF

Reverse Voltage: 30 Volts
 Forward Current: 200 mA
 RoHS Device
 Halogen Free



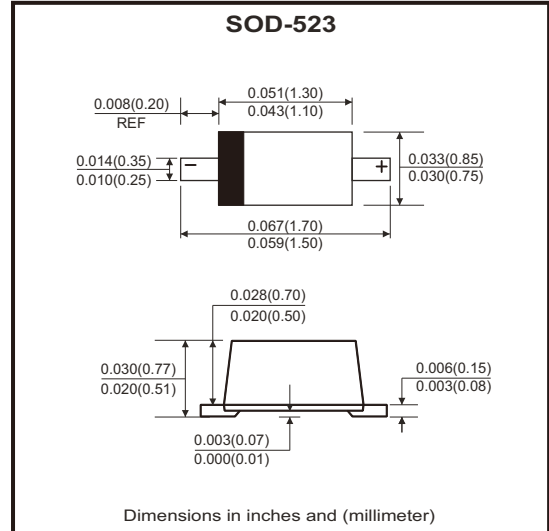
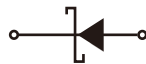
Features

- Extremely fast switching speed.
- Low forward voltage.

Mechanical data

- Case: SOD-523 standard package, Molded Plastic.
- Mounting position: Any.

Circuit Diagram



Maximum Ratings (at $T_A=25^\circ\text{C}$ unless otherwise noted)

Parameter	Symbol	CDBH0230-HF	Unit
Non-repetitive peak reverse voltage	V_{RM}	30	V
DC blocking voltage	V_R	21	V
Average rectified output current	I_o	100	mA
Forward continuous current	I_F	200	mA
Repetitive peak forward current	I_{FRM}	300	mA
Non-repetitive peak forward surge current @ $t=8.3\text{ms}$	I_{FSM}	600	mA
Power dissipation	P_D	150	mW
Thermal resistance junction to ambient	$R_{\theta JA}$	667	$^\circ\text{C/W}$
Junction temperature	T_J	125	$^\circ\text{C}$
Storage temperature range	T_{STG}	-55 ~ +150	$^\circ\text{C}$

Electrical Characteristics (at $T_A=25^\circ\text{C}$ unless otherwise noted)

Parameter	Symbol	Conditions	Min.	Typ.	Max.	Unit
Reverse breakdown voltage	$V_{(BR)}$	$I_R=100\mu\text{A}$	30			V
Forward voltage	V_{F1}	$I_F=0.1\text{mA}$			240	mV
	V_{F2}	$I_F=1.0\text{mA}$			320	
	V_{F3}	$I_F=10\text{mA}$			400	
	V_{F4}	$I_F=30\text{mA}$			500	
	V_{F5}	$I_F=100\text{mA}$			1000	
Reverse current	I_R	$V_R=25\text{V}$			2.0	μA
Reverse recovery time	t_{rr}	$I_F=10\text{mA}$, $I_R=10\text{mA}$ to 1mA , $R_L=100\Omega$			5.0	nS
Capacitance between terminals	C_T	$V_R=1\text{V}$, $f=1.0\text{MHz}$			10	pF

Rating and Characteristic Curves (CDBH0230-HF)

Fig.1 - Forward Characteristics

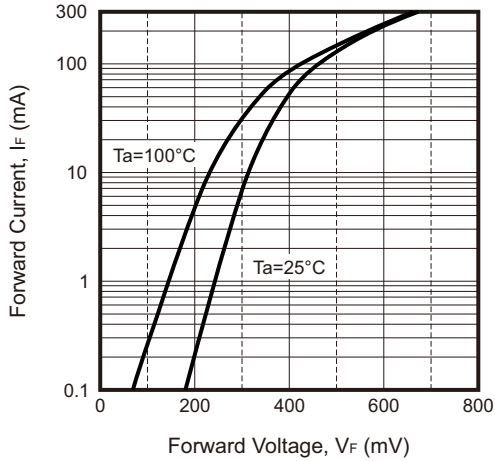


Fig.2 - Reverse Characteristics

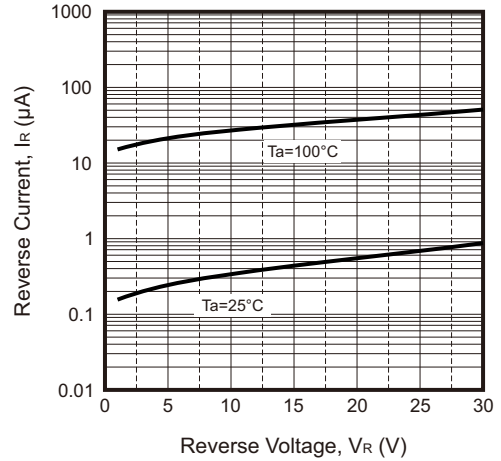


Fig.3 - Capacitance Characteristics Per Diode

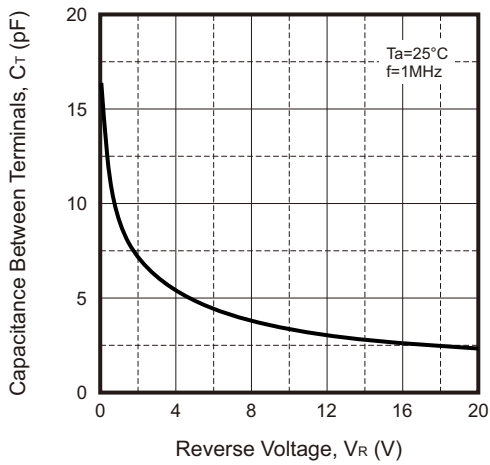
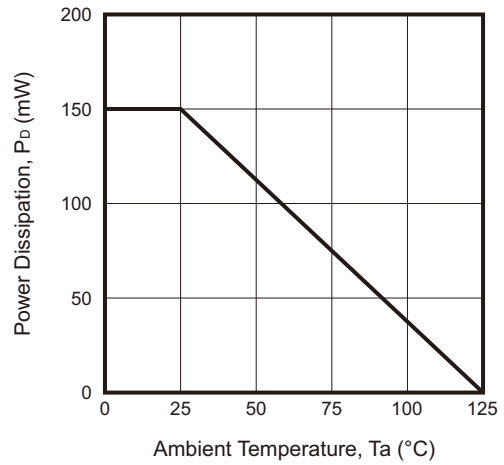
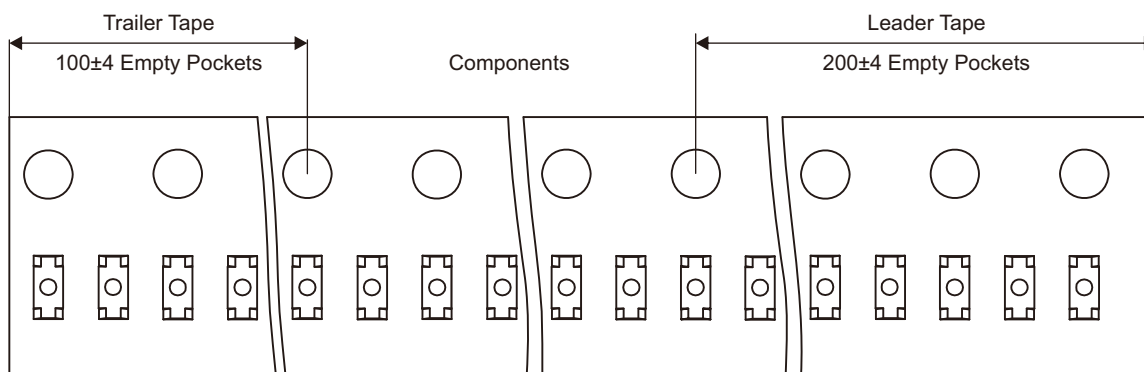
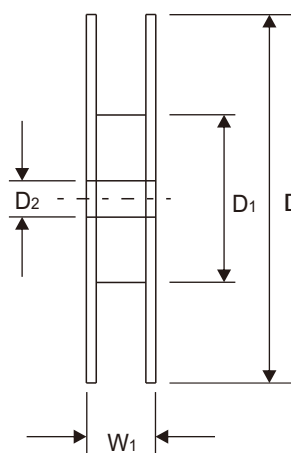
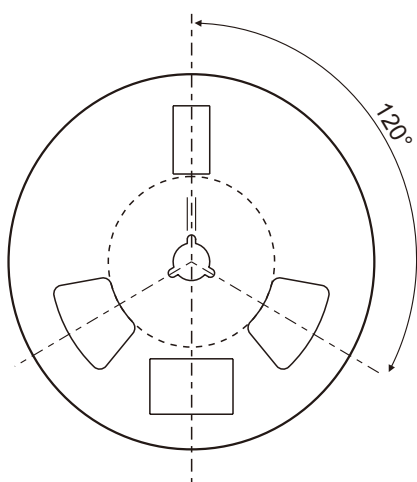
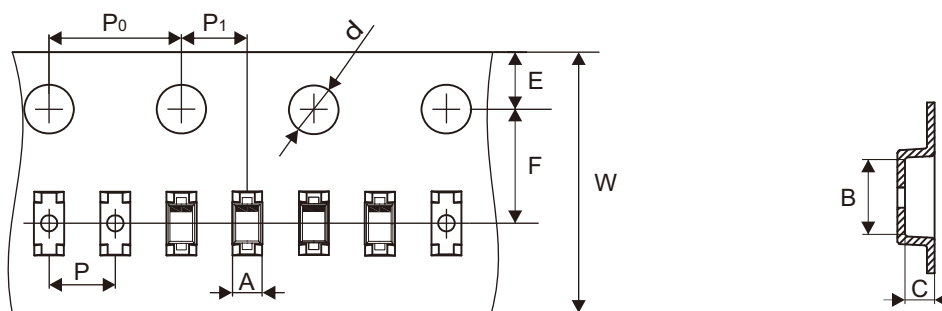


Fig.4 - Power Derating Curve



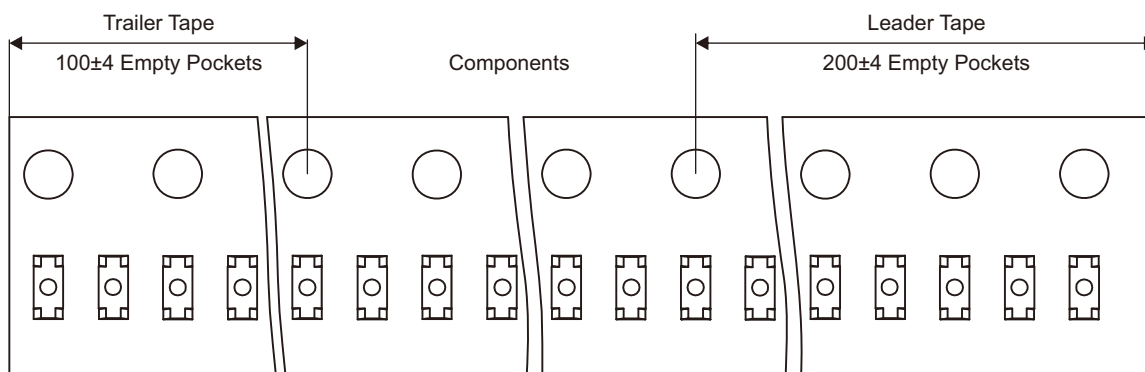
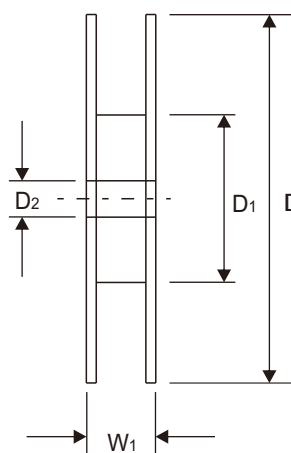
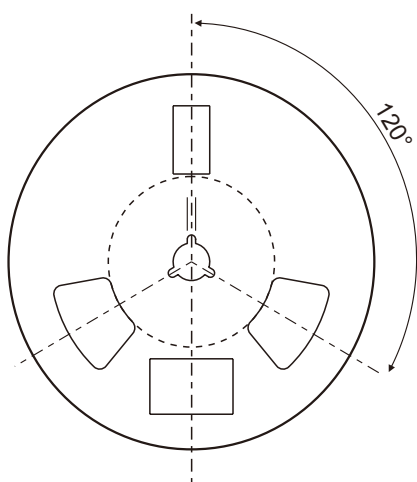
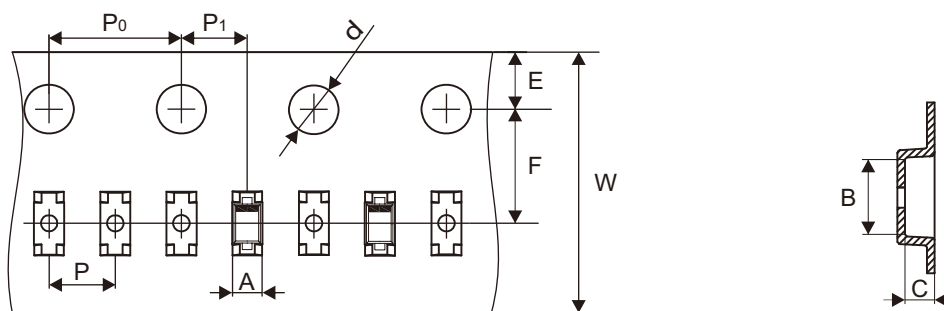
Reel Taping Specification (For CDBH0230-F-HF)



SOD-523	SYMBOL	A	B	C	d	D	D1	D2
	(mm)	0.90 ± 0.05	1.94 ± 0.05	0.73 ± 0.05	1.50 ± 0.10	178 ± 2.00	54.40 ± 1.00	13.00 ± 1.00
	(inch)	0.035 ± 0.002	0.076 ± 0.002	0.029 ± 0.002	0.059 ± 0.004	7.008 ± 0.079	2.142 ± 0.039	0.512 ± 0.039

SOD-523	SYMBOL	E	F	P	P0	P1	W	W1
	(mm)	1.75 ± 0.10	3.50 ± 0.10	2.00 ± 0.10	4.00 ± 0.10	2.00 ± 0.10	8.00 + 0.30 / - 0.10	12.30 ± 1.00
	(inch)	0.069 ± 0.004	0.138 ± 0.004	0.079 ± 0.004	0.157 ± 0.004	0.079 ± 0.004	0.315 + 0.012 / - 0.004	0.484 ± 0.039

Reel Taping Specification (For CDBH0230-H-HF)

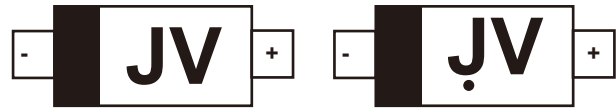


SOD-523	SYMBOL	A	B	C	d	D	D1	D2
	(mm)	0.90 ± 0.05	1.94 ± 0.05	0.73 ± 0.05	1.50 ± 0.10	178 ± 2.00	54.40 ± 1.00	13.00 ± 1.00
	(inch)	0.035 ± 0.002	0.076 ± 0.002	0.029 ± 0.002	0.059 ± 0.004	7.008 ± 0.079	2.142 ± 0.039	0.512 ± 0.039

SOD-523	SYMBOL	E	F	P	P0	P1	W	W1
	(mm)	1.75 ± 0.10	3.50 ± 0.10	2.00 ± 0.10	4.00 ± 0.10	2.00 ± 0.10	8.00 + 0.30 / - 0.10	12.30 ± 1.00
	(inch)	0.069 ± 0.004	0.138 ± 0.004	0.079 ± 0.004	0.157 ± 0.004	0.079 ± 0.004	0.315 + 0.012 / - 0.004	0.484 ± 0.039

Marking Code

Part Number	Marking Code
CDBH0230-F-HF	JV
CDBH0230-H-HF	

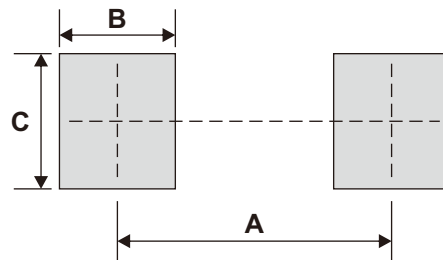


Solid dot = Control code

█ = Cathode band

Suggested P.C.B. PAD Layout

SIZE	SOD-523	
	(mm)	(inch)
A	1.42	0.056
B	0.60	0.024
C	0.70	0.028



Note: 1. The pad layout is for reference purposes only.

Standard Packaging

Case Type		REEL PACK	
		REEL (pcs)	Reel Size (inch)
SOD-523	CDBH0230-F-HF	8,000	7
	CDBH0230-H-HF	3,000	